

Product Reference WEDA 40 (60 Hz)

Electric submersible pump

Specifications

Portable electric submersible pump for dewatering of construction sites, mines, flooded areas etc. Designed for handling liquid with abrasive particles. Prot class IP68

Pump Types

WEDA 40 Medium head, 3-phase

Electric Motor

3-phase: Squirrel cage induction motor with built-in contactor.
Insulation: Class F (+311F), IEC 85

Data	WEDA 40	3~
Rated Output	hp	5.0
Rated Current A	230v	11.3
	460v	5.3
Shaft speed	rpm	3550

Other voltage upon request

Motor Protection

Thermal switch in each winding (+266 degree F)

Cable

Oil and wear resistant rubber cable
65ft 4 x AWG 16

Shaft Seal

Double seals with oil compartment
Primary seal: Silicon carbide against silicon carbide.
Secondary seal: Lip seal against wear sleeve.

Bearings

Single-row ball bearing with C3 clearance.

Materials

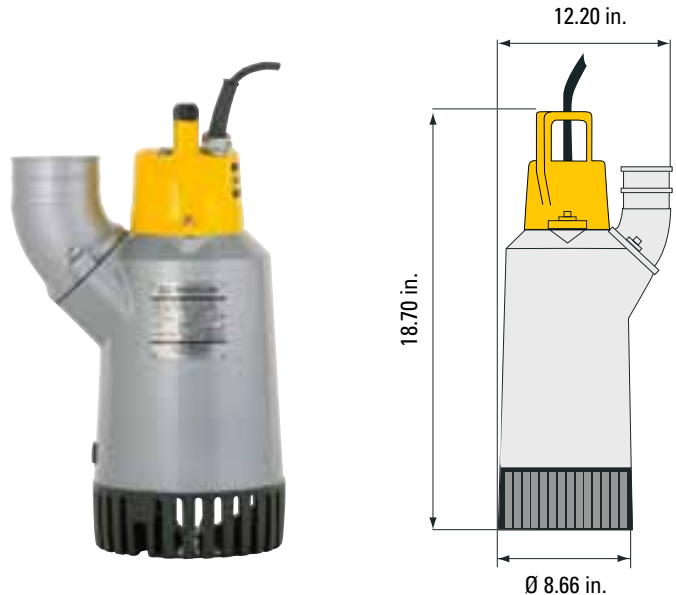
Castings:	Aluminium
Outer-casing:	Aluminium
Shaft:	Stainless steel
Fasteners:	Stainless steel
Impeller:	Cr-alloyed white cast iron
Wear parts:	Nitrile rubber

Discharge connection

3" NPT std, opt 4", hose or BSP

Accessories

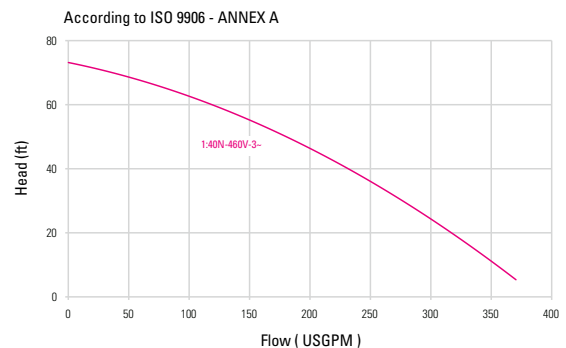
- Low suction collar
- Float switch
- Zinc anodes
- Epoxy Coating
- Stainless steel strainer
- Quick coupling type 1, 2,5"



Weight :55 lbs
Max. solid size : 0,27"/7mm

Dimensions (inch)

Flow Chart



Features

- Robust design
- Lightweight and user friendly
- Wear resistant wet end in CR-alloy steel and natural rubber
- Adjustable wear parts
- Built-in contactor
- Easy installation

Designed for

- Heavy duty pumping of abrasive liquids.
- Max submersible depth of 66ft.
- Max temperature of liquid +104F.
- Max density of liquid, 68lbs/ft³.
- pH of the liquid between 5-8.
- For special applications contact Weda pump.

