

4NNTL-F



***NOW STOCKED IN CD4MCu**

AVAILABLE MOUNTING CONFIGURATIONS

4NNTL-F FRAME MOUNT
 4NNTL-RP-F REDI-PRIME FRAME MOUNT
 4NNTL-EM ENGINE MOUNT
 4NNTL-RP-EM REDI-PRIME ENGINE MOUNT
 4NNTL-VC VERTICAL COUPLED
 4NNTL-VF VERTICAL FRAME MOUNT

OPERATING LEVELS

MIN FLOW	50 GPM	11 m ³ /h
MAX FLOW	1450 GPM	329 m ³ /h
DISCHARGE SIZE	4"	102 mm
SUCTION SIZE	4"	102 mm
SOLIDS HANDLING	3"	76 mm
MAX SPEED	2500 RPM	2500 RPM
SHUT-OFF HEAD	165'	50 m
BEP HEAD	106'	32 m
BEP FLOW	964 GPM	219 m ³ /h
BEP PERCENT	79%	79%



A typical picture of the pump is shown. Please contact Cornell Pump Company for further details. All information is approximate and for general guidance only.

PARTS	STANDARD MATERIAL (ALL IRON)	CD4MCU
WEAR RING	CAST IRON	CD4MCU
IMPELLER	CAST IRON	CD4MCU
VOLUTE	CAST IRON	CD4MCU
SHAFT	STRESSPROOF STEEL	17-4PH
SUCTION COVER	CAST IRON	CD4MCU
MECHANICAL SEAL	TUNGSTEN CARBIDE VS. SILICON CARBIDE	TUNGSTEN CARBIDE VS. SILICON CARBIDE
BEARING FRAME	CAST IRON	CAST IRON

The 4NNTL pump is designed with Cornell's renowned quality and durability. It features a 4" discharge, 4" suction, and enclosed impeller. Available in All Iron or CD4MCu materials. Cornell's patented Cycloseal® design is standard, with a Type 1 or 2 single mechanical seal with Buna-N elastomers, stainless steel hardware and tungsten carbide vs. silicon carbide seal faces for abrasion resistance. Bearings are heavy duty deep groove ball bearings with a minimum of 50,000 hours bearing life. 900/1200/1800 RPM operating speeds. Vertical configurations include a 4" suction elbow with other options available. Uses an F5 or F85 frame (horizontal) or VC5 frame (vertical).

Engine-mounted models: 900/1800 RPM operating speeds.

- Patented Cycloseal® design
- Heavy-duty bearing frame
- Industry-leading two-year warranty
- Industry-leading efficiencies
- Heavy duty construction
- Redi-Prime® available for fully-automatic continuous priming



AGRICULTURE



FOOD



INDUSTRIAL



MINING



MUNICIPAL



OIL & GAS

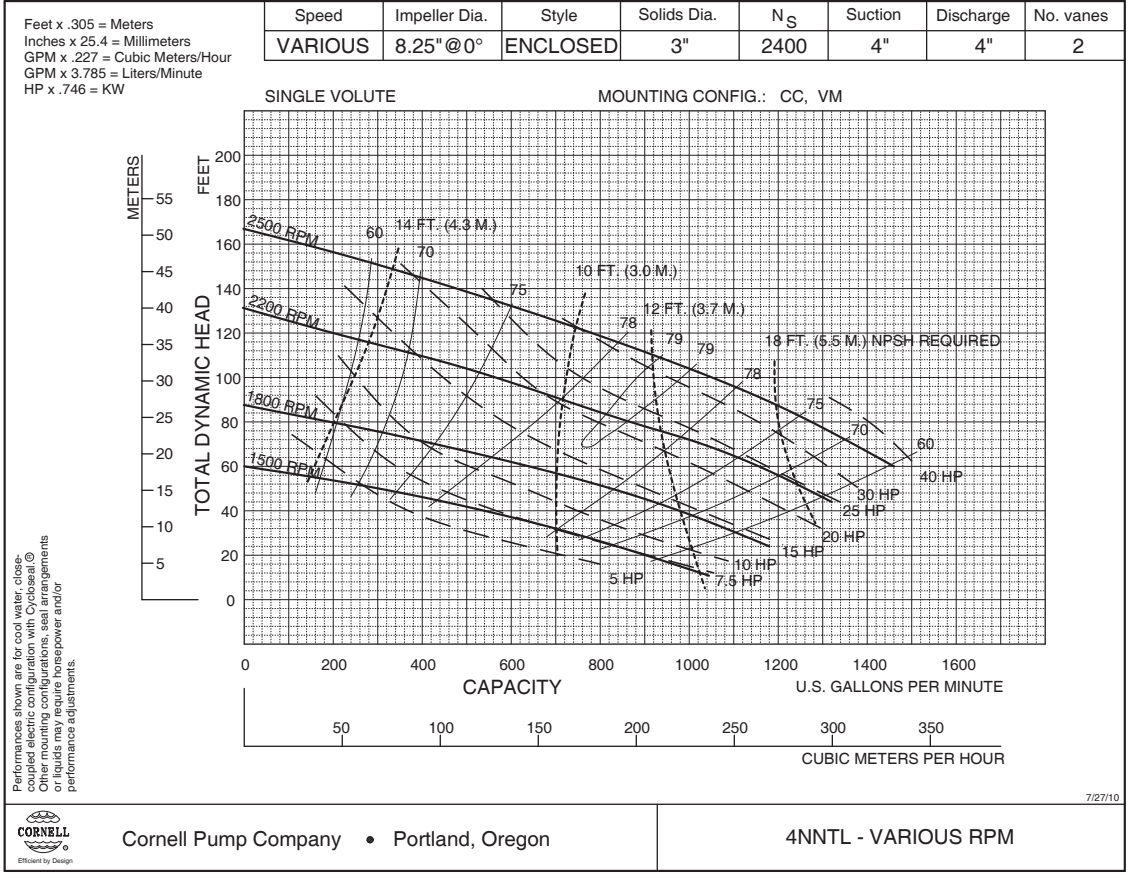


REFRIGERATION



RENTAL

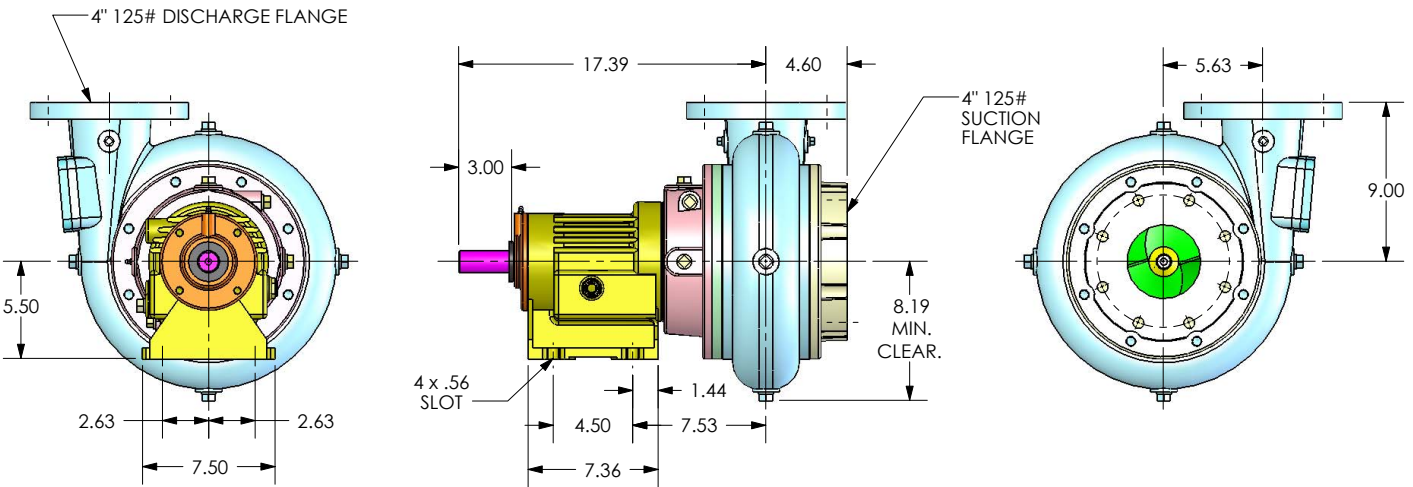
4NNTL-F



NEW PAGE

4NNTLVA

Cornell Pump Company • Portland, Oregon
4NNTL - VARIOUS RPM



DS059-1608-GE