



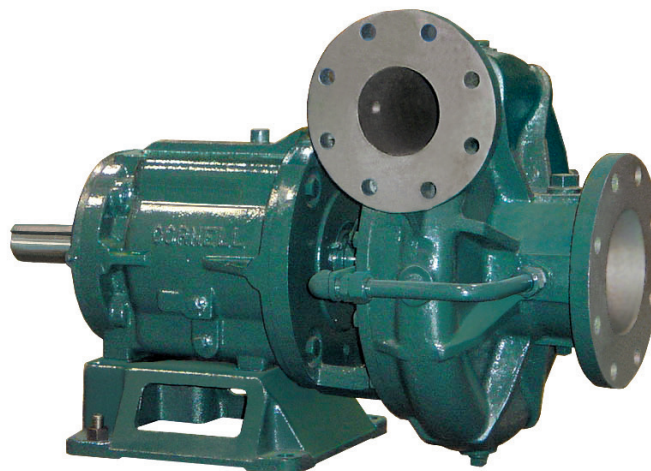
AVAILABLE MOUNTING CONFIGURATIONS

| |
|-----------------------------------|
| 3RB-F FRAME MOUNT |
| 3RB-RP-F REDI-PRIME FRAME MOUNT |
| 3RB-EM ENGINE MOUNT |
| 3RB-RP-EM REDI-PRIME ENGINE MOUNT |
| 3RB-VF VERTICAL FRAME MOUNT |
| 3RB-VC VERTICAL COUPLED |

OPERATING LEVELS

| | | |
|----------------------|----------|-----------------------|
| MIN FLOW | 75 GPM | 17 m ³ /h |
| MAX FLOW | 900 GPM | 204 m ³ /h |
| DISCHARGE SIZE | 3" | 76.2 mm |
| SUCTION SIZE | 5" | 127 mm |
| SOLIDS HANDLING | 0.5" | 12.7 mm |
| MAX SPEED | 2600 RPM | 2600 RPM |
| SHUT-OFF HEAD | 400' | 122 m |
| MAX WORKING PRESSURE | 175 PSI | 1207 kPa |
| BEP HEAD | 350' | 107 m |
| BEP FLOW | 800 GPM | 182 m ³ /h |
| BEP PERCENT | 79% | 79% |

| PARTS | STANDARD MATERIAL (CAST IRON BRONZE FITTED, CI IMPELLER) |
|----------------------------|--|
| WEAR RINGS | Bronze SAE 660 |
| IMPELLER | Cast Iron ASTM A48 CL30 |
| VOLUTE | Cast Iron ASTM A48 CL30 |
| SHAFT | SAE 1144 Stressproof Steel |
| SHAFT SLEEVE | Bronze SAE 660 |
| BACKPLATE | Cast Iron ASTM A48 CL30 |
| PACKING (STANDARD) | Graphited Acrylic |
| MECHANICAL SEAL (OPTIONAL) | Single T-1, Buna, Carbon/ Ceramic |
| BEARING FRAME | Cast Iron ASTM A48 CL30 |



A typical picture of the pump is shown. Please contact Cornell Pump Company for further details. All information is approximate and for general guidance only.

The 3RB general purpose pump is designed with Cornell's renowned quality and durability. It features a 3" discharge and a 5" suction, enclosed multi-vane impeller and flanged tangential single volute. The pump end mounts to F5, F16, EM5, EM16, VC5, VC16, VF5, and VF16 bearing frames. Optional Redi-Prime or Venturi Prime priming system is available. Bearings are heavy-duty, grease lubricated, single ball bearings with a minimum of 20,000 hours bearing life.

- External hydraulic balance line
- Back pullout design
- Replaceable hub & suction wear rings
- Replaceable shaft sleeve
- High efficiency hydraulics
- Low operating costs
- Modular bearing frame
- Long B-10 bearing life (20,000 hour minimum)
- Two year warranty
- Optional Cycloseal® with type 1 mechanical seal
- Optional Run-Dry™ lubrication system
- Grease lubrication standard - oil lubrication optional
- SAE #3, 4 & 5 engine mount available to fit
- Oversized shaft and bearings



AGRICULTURE



FOOD



INDUSTRIAL



MINING



MUNICIPAL



OIL & GAS

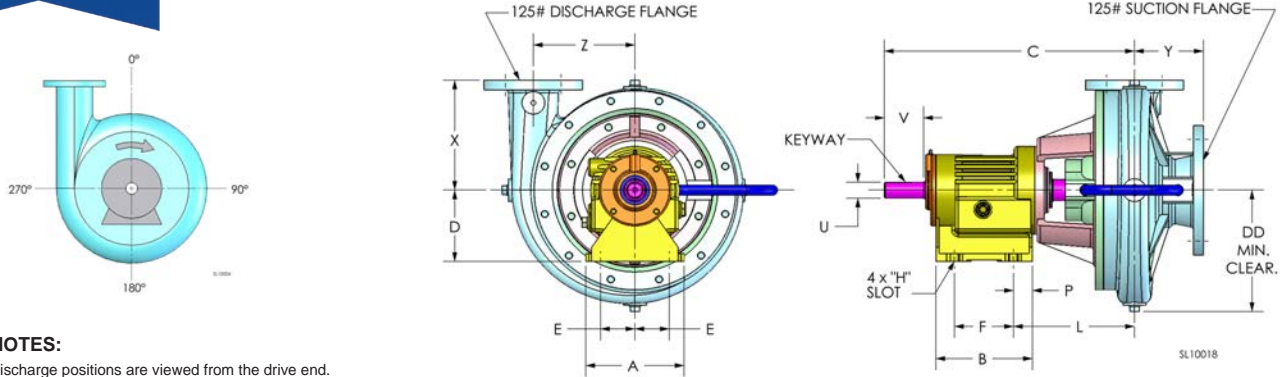


REFRIGERATION



RENTAL

3RB-F



NOTES:

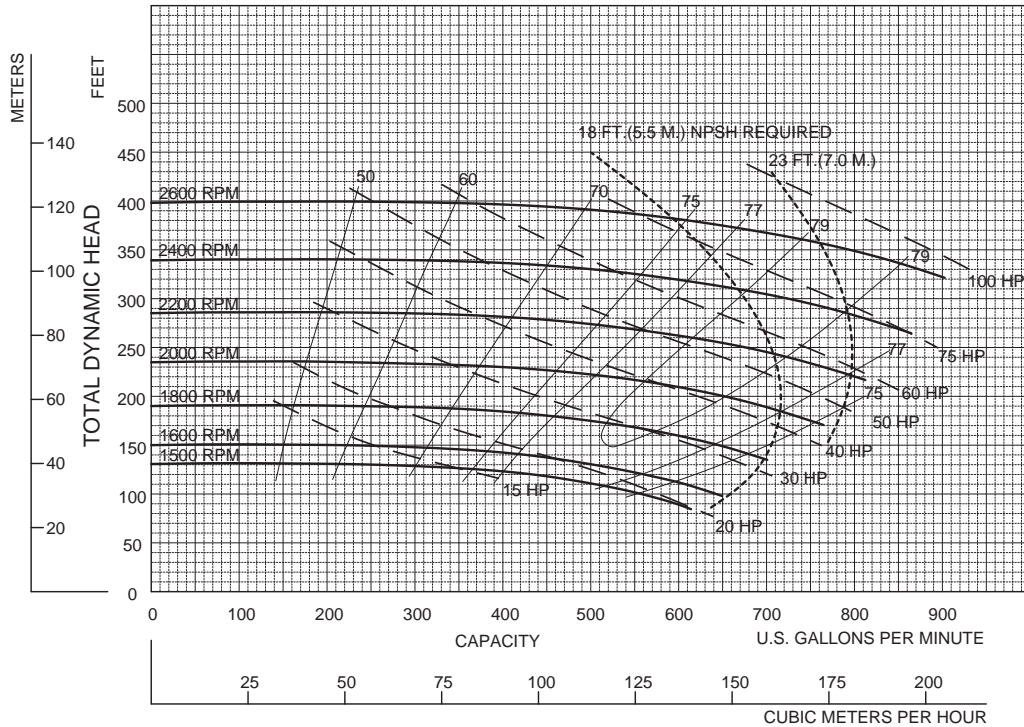
Discharge positions are viewed from the drive end.
 Standard increments of discharge position are shown in the chart below (DISCH INCR). Consult factory for other discharge positions.

| PUMP DIMENSIONS | | | | | | | | | | | | | | | | | | | | |
|-----------------|-------|------------|-------|-------------|-----|------|-------|-----|----|------|-----|------|------|------|------|---|-----|------|------|---------|
| MODEL | FRAME | CONNECTION | | DISCH. INC. | A | B | C | D | DD | E | F | H | L | P | U | V | X | Y | Z | KEYWAY |
| | | DISCH. | SUCT. | | | | | | | | | | | | | | | | | |
| 3RB | F5 | 3 | 5 | 90° | 7.5 | 7.36 | 19.09 | 5.5 | 10 | 2.62 | 4.5 | 0.56 | 9.22 | 1.44 | 1.25 | 3 | 8.5 | 5.25 | 7.75 | .25X.12 |

Feet x .305 = Meters
 Inches x 25.4 = Millimeters
 GPM x .227 = Cubic Meters/Hour
 GPM x 3.785 = Liters/Minute
 HP x .746 = KW

| | | | | | | | |
|---------|---------------|----------|-------------|----------------|---------|-----------|-----------|
| Speed | Impeller Dia. | Style | Solids Dia. | N _S | Suction | Discharge | No. vanes |
| VARIOUS | 12.88" | ENCLOSED | .50" | 918 | 5" | 3" | 7 |

SINGLE VOLUTE MOUNTING CONFIG.: CC, VM, F, VF, EM, VC



Performances shown are for cool water, clean, unfiltered applications. Other mounting configurations, seal arrangements or liquids may require horsepower and/or performance adjustments.

SUPERSEDES 9/99

3RBVA

10/05/07

| | |
|--|--------------------------|
| <p>Cornell Pump Company • Portland, Oregon</p> | <p>3RB - VARIOUS RPM</p> |
|--|--------------------------|

DS3RBF-103014