

**CORNELL PUMP COMPANY**

200 - 600 GPM

**Model 3HM**

150 - 375 Feet TDH

**STANDARD SPECIFICATION****Discharge** - 3 inch discharge**Suction** - 5 inch suction**Impeller** - Semi-open, threaded, 3 vane: handles 1" solids**Volute** - Right and left hand tangential discharge, eight positions**Mechanical Seal or Traditional Packing** - Single type 2, silicon carbide/tungsten carbide mechanical seal: Cycloseal® design, Run-dry available**Materials of Construction**

- Cast iron casing, cast iron impeller
- Other materials available

**MOUNTING OPTIONS**

- **Close Coupled Electric**
  - Cornell's Energy Efficient Design
- **Frame Mount**
  - Cornell F16
  - Cornell F18
  - Cornell F18DB
- **Engine Bracket**
  - Cornell EM16 (SAE 1, 2, 3, 4)
  - Cornell EM18 (SAE 1, 2, 3, 4)
  - Cornell EM18DB (SAE 1, 2, 3, 4)
- **Oil Filled Bearing Frame**
  - Available

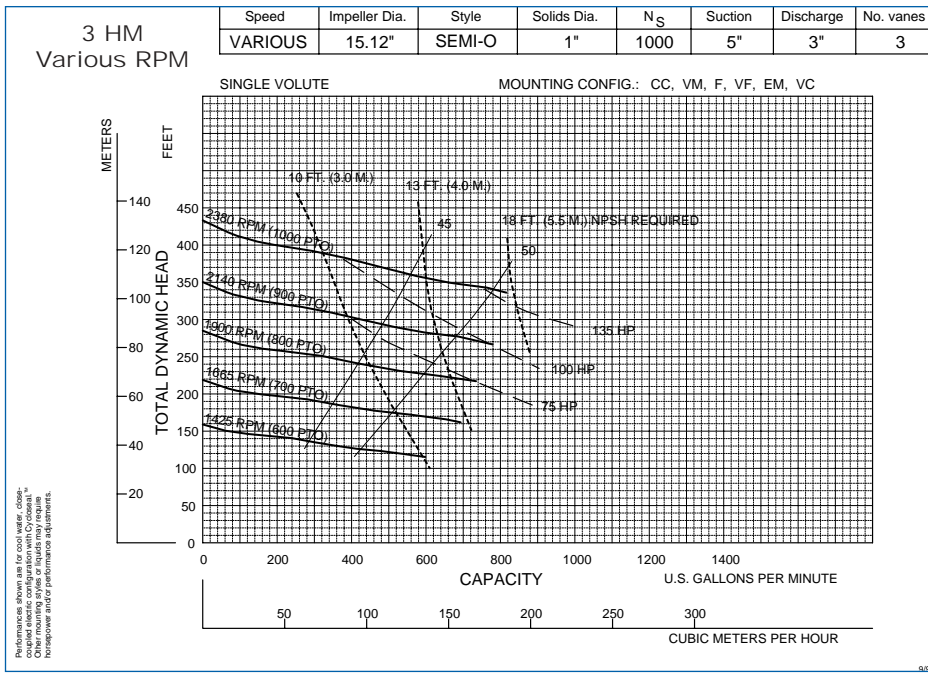
**AVAILABILITY**

- **Quick Ship**
  - Finished Product Regularly Stocked (48 Hours)
- **Preferred Pump**
  - Finished Components Regularly Stocked (10 business days)
- **Specialty Pump**
  - Cornell Pump Company will design and manufacture a variation of this pump specifically designed for your application

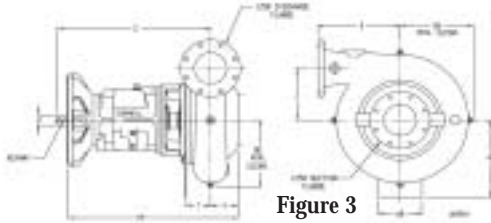
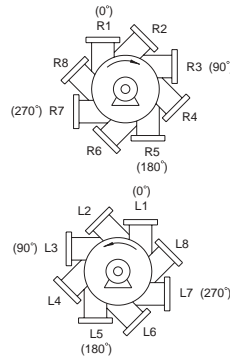
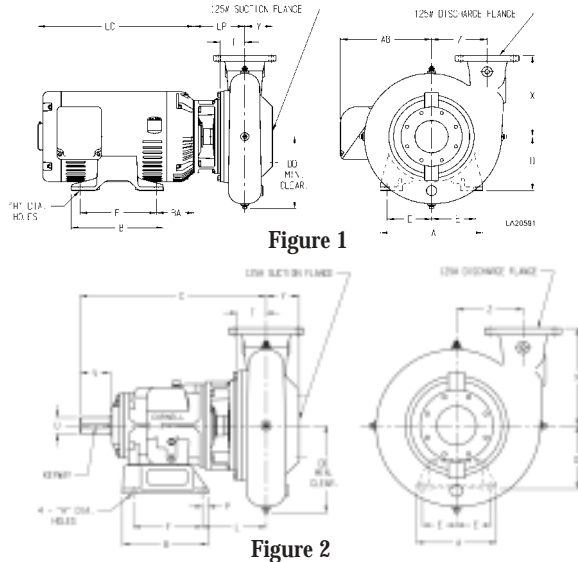
**FEATURES & BENEFITS**

- **Cornell's Tradition of Excellence:**
  - **Highest quality products**
  - **Experience**
    - Over 50 years in the centrifugal pump business
  - **Optimum Hydraulics**
    - In house engineering staff and test lab facilities
  - **Strong Local Dealer Support**
    - Our agricultural products are sold only through authorized dealerships
    - Dealerships provide full service to customers from sales to replacement parts
    - Dealers maintain and improve their knowledge at educational activities like Cornell's "Pump School"
- **Exceptional Design:**
  - **Efficiency**
    - Effectively converts energy into fluid flow and pressure
  - **Long Product Life**
    - Thick walled castings
    - Heavy duty shafts
    - 20,000 hour bearings
    - Replaceable wear rings and shaft sleeves
    - Reduced thrust load through design and balance lines where appropriate

# PERFORMANCE CURVES



**Note:**  
Curves also available in 1800 and 1200 RPM



## PUMP DIMENSIONS

MOUNT	Fig.	A	AR	B	C	CP	D	DA	DD	E	F	H	L	LP	P	R	T	U	V	X	Y	Z	KEYWAY
CC	1	-	-	-	-	-	-	-	11.12	-	-	-	-	10.09	-	-	3.34	-	-	10	3	8.5	-
F16	2	12	-	12.88	24.86	-	9.75	-	11.12	5.12	10.38	0.81	6.97	-	0.88	-	3.34	2	4.5	10	3	8.5	.50 X .25
F18	2	12	-	12.88	25.88	-	10.5	-	11.12	5.12	10.38	0.81	7.5	-	0.88	-	3.34	2.5	4.5	10	3	8.5	.62 X .31
EM16	3	-	5.25	-	24.86	25.86	-	11.12	10.75	-	-	-	-	-	-	16.09	3.34	2	-	10	3	8.5	.50 X .25
EM18	3	-	5.25	-	25.88	26.89	-	11.12	10.75	-	-	-	-	-	-	16.09	3.34	2.5	-	10	3	8.5	.62 X .31

## MOTOR DIMENSIONS

MOTOR FRAME	AK DIM.	A	B	D	E	F	H	AB	BA	LC
213-5	8.5	9.5	8	5.25	4.25	7	0.41	7.94	4.5	13.69
254-6	8.5	11.25	11.25	6.25	5	10	0.53	9.5	5	17.94
284-6	12.5	12.25	12.25	7	5.5	11	0.53	11.37	5	21.31
324-6	12.5	14.25	13.75	8	6.25	12	0.66	12.22	5.5	22.19
364-5	12.5	15.75	14	9	7	12.25	0.66	13.2	6.12	24.31
404-5	12.5	18.49	16.62	10	8	13.75	0.81	16.39	6.88	28.22

**Cornell Pump Company**

P.O. Box 6334

Portland, Oregon 97228-6334

Web: [www.cornellpump.com](http://www.cornellpump.com)

Phone: (503) 653-0330 • Fax: (503) 653-0338

**ISO9001:2000** CERTIFIED