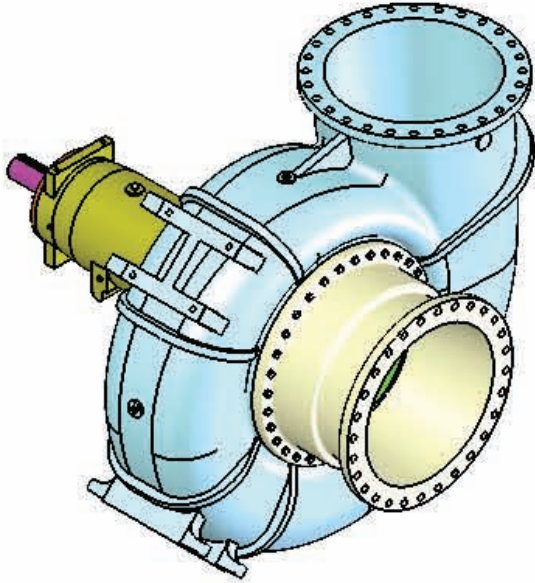


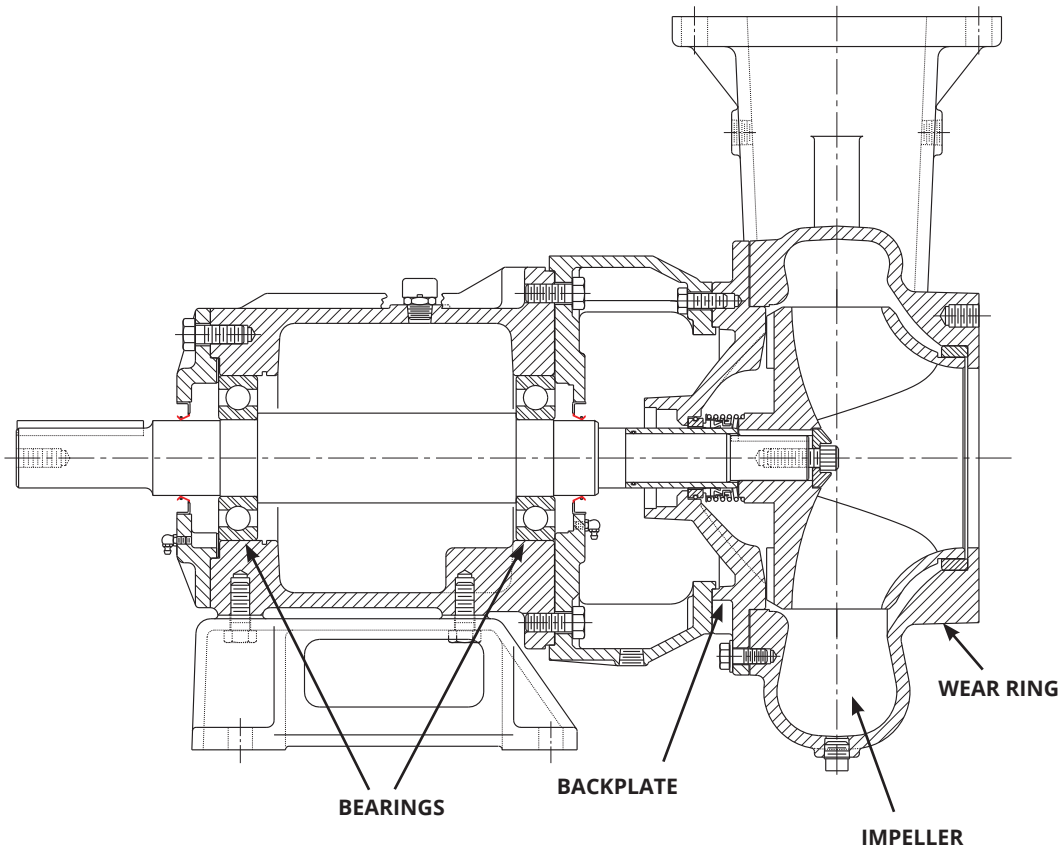
# 30NNT-F

## DATA SHEET



Pumps are made from all iron, horizontal (F) and vertical (VF) configuration with enclosed cast iron impeller, 416 stainless steel shaft sleeve, packing or Cycloseal or double seal, and single casing cast iron wear ring, frame except 4NNTL. All pumps incl. volute clean-out hole & cover.

- **Materials:** Other materials are available by special order. See solids handling accessories page for price adders (alloy shaft materials).
- **Bearing Lubrication:** Oil lubrication is available on horizontal mounted units.
- **Sealing Options:** Cycloseal, Double mechanical seal, or packing is included in the list price. Run-dry option available.
- **Vertical Mounting:** Base elbows
- **Horizontal Mounting:** Horizontal pump & motor bases are priced in solids handling accessories page.
- **Non-current Frame Models:** Available, consult factory for pricing.



A typical picture of the pump is shown. Please contact Cornell Pump Company for further details. All information is approximate and for general guidance only.

# 30NNT-F

## DATA SHEET

